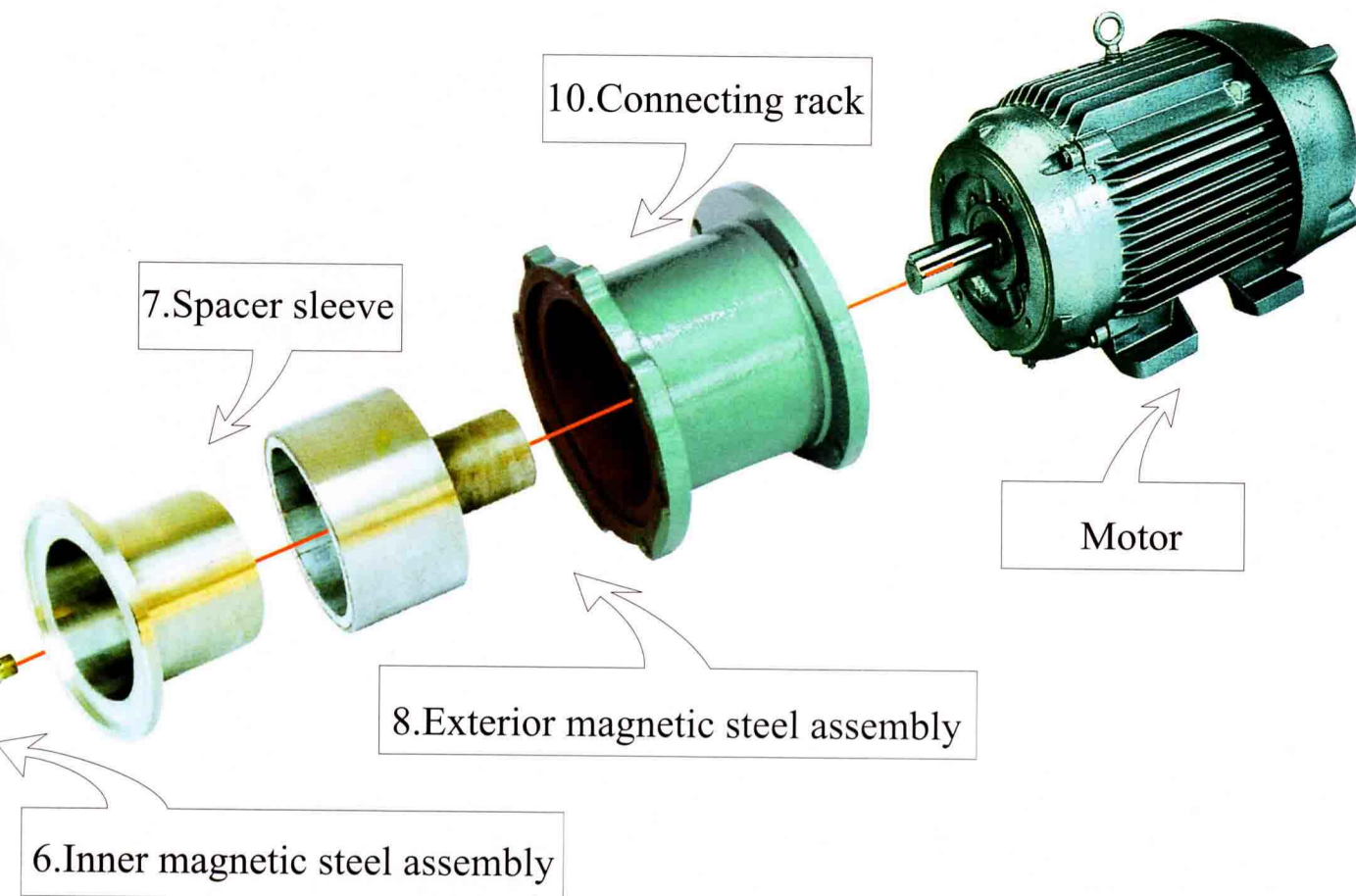






# ROTOR<sup>®</sup> MAGNETIC PUMP



Series No(s)	Part name (N)	Model and material (M)			
		CXB	CQF	CQB	CQB-F
1	Pump body	Intensified polypropylene/stainless steel	Intensified polypropylene	Stainless steel	Fluoroplastics
2	Impeller	Intensified polypropylene/stainless steel	Intensified polypropylene	Stainless steel	Fluoroplastics
3	Seal ring	Fluoro rubber	Fluoro rubber	Fluoro rubber	Fluoro rubber
4	Bearing	Filling PTFE/carbon graphite	Carbon graphite M 106K	Carbon graphite M 106K	Carbon graphite M 106K
5	Pump shaft	High pure alumina ceramics/stainless steel	High pure alumina ceramics	Stainless steel	Silicon carbide
6	Inner magnetic steel assembly	Rare earth permanent magnet	Rare earth permanent magnet	Rare earth permanent magnet	Rare earth permanent magnet
7	Spacer sleeve	Intensified polypropylene/stainless steel	Intensified polypropylene	Stainless steel	Fluoroplastics
8	Exterior magnetic steel assembly	Rare earth permanent magnet	Rare earth permanent magnet	Rare earth permanent magnet	Rare earth permanent magnet
9	Thrust ring	High pure alumina ceramics	High pure alumina ceramics	High pure alumina ceramics	High pure alumina ceramics
10	Connecting rack	Cast iron HT200	Cast iron HT200	Cast iron HT200	Cast iron ZG200
11	Bearing body	—————	—————	Stainless steel	—————



## CQF Type Magnetic Pump Product Series

### Features

Intensified polupropylene injection molding, excellent anticorrosion, low price and wide applicability

### Performance

Material:intensified polupropylene

Flow rate: 1.6~25m<sup>3</sup>/h      Lift:11.5~32m

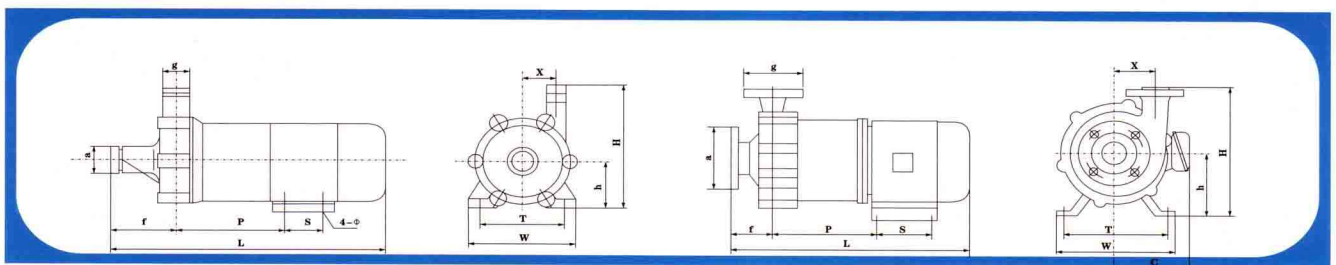
Power:.0.08~7.5kw      Using temperature: <60°C



## ■ Performance Parameters of CQF Type Magnetic pump

Model	Caliber(mm)		Flowrate (m <sup>3</sup> /h)	Lift (m)	Net positive suction head (NPSH) <sub>r</sub> (m)	Motor power (KW)	Speed (r/min)	Mains voltage (v)
	Inlet(I)	Outlet(O)						
CQF16-12-90	16	12	1.1	11.5	6.0	0.08	2900	380
CQF25-15-125	25	15	1.6	20	5.5	0.55		
CQF32-20-105	32	20	3.2	12.5	5.0	1.1		
CQF32-20-125	32	20	3.2	20	5.0	1.1		
CQF32-20-160	32	20	3.2	32	3.5	1.5		
CQF40-25-125	40	25	6.3	20	6.0	2.2		
CQF40-25-160	40	25	6.3	32	3.5	3.0		
CQF50-32-105	50	32	12.5	12.5	3.5	2.2		
CQF50-32-125	50	32	12.5	20	3.5	3.0		
CQF50-32-160	50	32	12.5	32	3.5	4		
CQF65-50-125	65	50	25	20	4.0	5.5		
CQF65-50-160	60	50	25	32	4.0	7.5		

## ■ Outline and Installation Dimensions of CQF Magnetic Pump



Model	a	g	f	P	S	L	W	T	h	H	x	C
CQF16-12-90	16	12	50	95	40	250	120	95	60	150	50	75
CQF25-15-125	100	90	65	165	90	400	140	110	90	210	70	120
CQF32-20-105	120	100	67.5	189.5	100	460	160	125	90	205	71.5	140
CQF32-20-125	120	100	67.5	189.5	100	460	160	125	90	230	85	140
CQF32-20-160	120	100	67.5	189.5	100	460	160	125	90	230	85	140
CQF40-25-125	130	120	75	235	120	545	180	140	100	220	78.5	155
CQF40-25-160	130	120	80	271	140	620	245	190	112	260	91	190
CQF50-32-105	140	130	75	195	125	500	175	140	100	250	80	55
CQF50-32-125	140	130	80	271	140	620	245	190	112	260	91	190
CQF50-32-160	140	130	80	271	140	620	245	190	112	260	91	190
CQF65-50-125	160	140	90	305	140	695	280	216	132	300	91	200
CQF65-50-160	160	140	76	360	140	720	280	216	120	292	90	200